



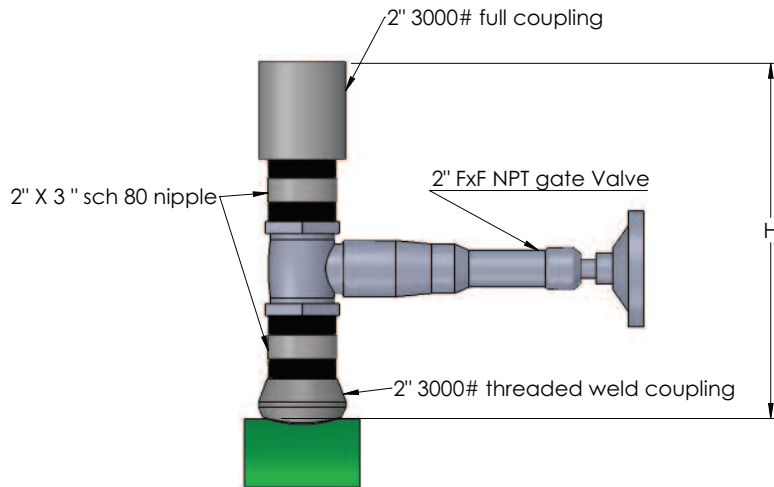
M23 – Pro-T

MOUNTING ACCESSORIES



VorTek Instruments, LLC
8475 West I-25 Frontage Rd.
Suite 300
Longmont, CO 80504 USA
Tel: 303/682-9999
Fax: 303/682-4368
info@vortekinst.com

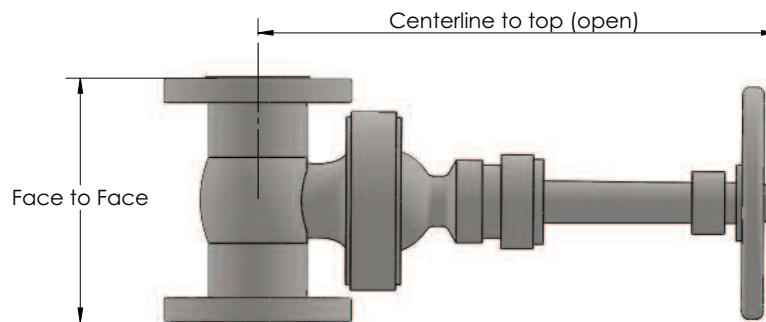
Gate Valves Threaded Kits



Gate Valves Threaded Kits								
Model Code	Max Pressure	Max Temperature	Material	Class	Connection	Face to face	Centerline to top (open)	H(if Kit Supplied)
VKBT-125()	200 PSI AT 100F	400 F AT 125 PSI	BRONZE	125	THREADED	3.35 [85.1]	11.65 [295.9]	11.26 [286.0]
VKBT-150()	300 PSI AT 100F	400 F AT 150 PSI	BRONZE	150	THREADED	3.88 [98.6]	12.19 [309.6]	11.79 [299.5]
VKBT-200()	400 PSI AT 100F	550 F AT 200 PSI	BRONZE	200	THREADED	3.96 [100.6]	12.19 [309.6]	11.87 [301.5]
VKBT-300()	1000 PSI AT 100F	550 F AT 300 PSI	BRONZE	300	THREADED	3.96 [100.6]	12.19 [309.6]	11.87 [301.5]
VKCT-800()	1975 PSI AT 100F	750 F AT 1345 PSI	CARBON STEEL	800	THREADED	5.62 [142.7]	13.00 [330.2]	13.53 [343.7]
VKST-200()	275 PSI AT 100F	350 F AT 200 PSI	STAINLESS STEEL	200	THREADED	3.74 [95.0]	7.44 [189.0]	11.65 [295.9]
VKST-800()	1920 PSI AT 100F	1123 F AT 800 PSI	STAINLESS STEEL	800	THREADED	5.25 [133.4]	11.25 [285.8]	13.16 [334.3]

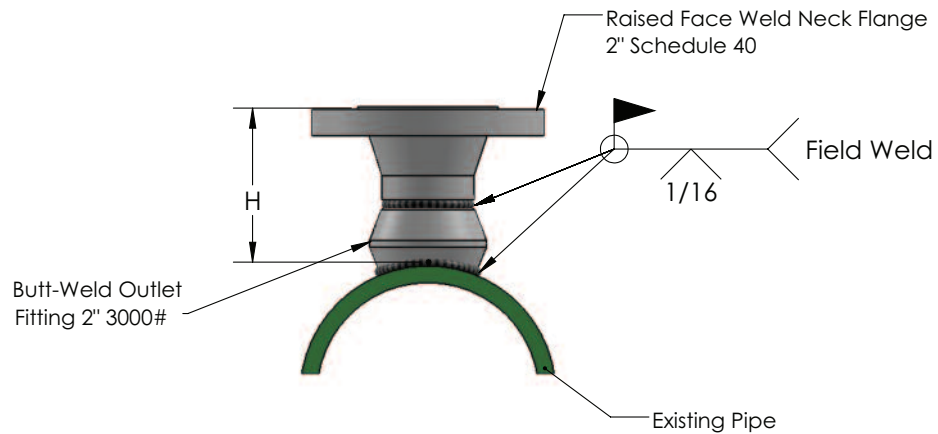
(Specify pipe OD in inches in parenthesis)

Flanged Gate Valves



Flanged Gate Valves							
Model Code	Max Pressure	Max Temperature	Material	Class	Connection	Face to face	Centerline to top (open)
VACF-150	285 PSI AT 100F	750F AT 95 PSI	CARBON STEEL	150	FLANGED	7.00 [177.80]	17.00 [431.80]
VACF-300	740 PSI AT 100F	750F AT 505 PSI	CARBON STEEL	300	FLANGED	8.50 [215.90]	18.00 [457.20]
VACF-600	1480 PSI AT 100F	750F AT 1010 PSI	CARBON STEEL	600	FLANGED	11.50 [292.10]	18.00 [457.20]
VASF-150	275 PSI AT 100F	750F AT 95 PSI	STAINLESS STEEL	150	FLANGED	7.00 [177.80]	17.00 [431.80]
VASF-300	720 PSI AT 100F	750F AT 425 PSI	STAINLESS STEEL	300	FLANGED	8.50 [215.90]	18.00 [457.20]
VASF-600	1440 PSI AT 100F	750F AT 855 PSI	STAINLESS STEEL	600	FLANGED	11.50 [292.10]	18.00 [457.20]

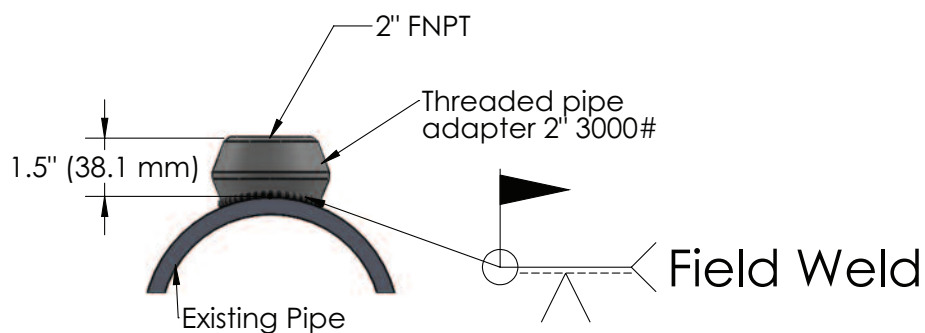
Flanged Adapters



Flanged Adapters				
Model Code	Material	Class	Connection	H
PACF - 150()	CARBON STEEL	150	FLANGED	4.00 [101.6]
PACF - 300()	CARBON STEEL	300	FLANGED	4.25 [107.9]
PACF - 600()	CARBON STEEL	600	FLANGED	4.62 [117.3]
PASF - 150()	STAINLESS STEEL	150	FLANGED	4.00 [101.6]
PASF - 300()	STAINLESS STEEL	300	FLANGED	4.25 [107.9]
PASF - 600()	STAINLESS STEEL	600	FLANGED	4.62 [117.3]

(Specify pipe OD in inches in parenthesis)

Pipe Adapters



Pipe Adapters		
Model Code	Material	Connection
PACT()	CARBON STEEL	THREADED
PAST()	STAINLESS STEEL	THREADED

(Specify pipe OD in inches in parenthesis)

A leader in precision
multivariable flowmeters
for the measurement
of liquid, gas, steam
and energy.



VorTek
INSTRUMENTS

VorTek Instruments, LLC
8475 West I-25 Frontage Rd., Suite 300
Longmont, CO 80504 USA
Tel: 303/682-9999
Fax: 303/682-4368
info@vortekinst.com